

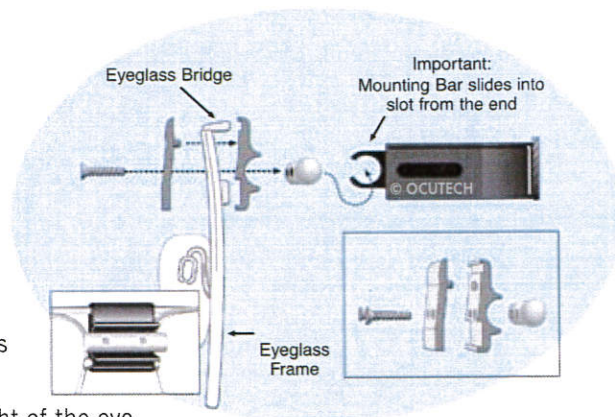
Ocutech VES[®]-Explorer

(Vision Enhancing System)

Fitting Guide

1. The frame and telescope mounting

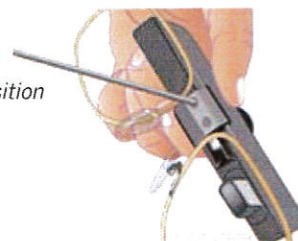
The frame holds the telescope as well as the eyeglass prescription (if needed) called the "carrier lens." The telescope is attached to the frame by way of a bridge mounting assembly held in place by two set screws. When loosened, these screws allow the telescope to be slid right and left to align the telescope eyepiece properly for the user's eye, and also to set the proper angle of the telescope. The telescope eyepiece protrudes through the carrier lens for the eye that will use the telescope and is positioned above the normal line of sight of the eye.



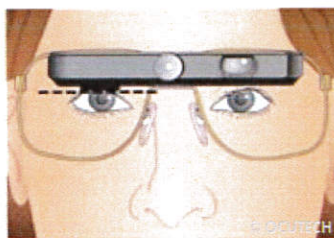
IMPORTANT: The telescope DOES NOT clip-off the frame. The frame mounting assembly provides a limited range of tilt angle. DO NOT force the angle beyond its free range of adjustment. THIS MAY DAMAGE the telescope and result in a repair.

2. Positioning the VES[®] Explorer

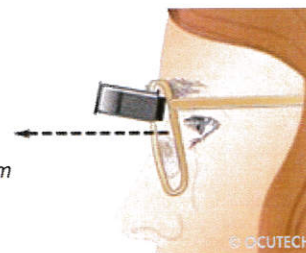
A. Loosen the set screws on the back of the bridge to slide the VES[®]-Explorer right and left to position the eyepiece and to change the angle of inclination of the telescope. You can also slide the telescope completely off the frame, flip it over, and reposition for use by the other eye.



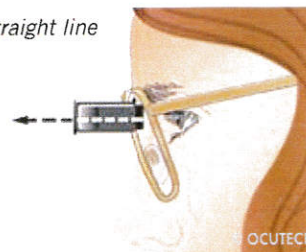
B. Adjust the upward angle of the telescope to be approximately 10 degrees up from the horizontal.



C. Adjust the bridge so the bottom of the eyepiece is positioned at the top of the pupil or the bottom of the upper lid – whichever is lower.



D. When the patient drops their head down to site through the VES[®]-Explorer there should be a straight line from the eye through the telescope.



If you need more tilt than that provided by the mounting assembly you can:

1. Either reduce the pantoscopic angle of the frame,
2. Widen the nose pads to lower the frame on the nose,
3. Or place an upward bend on the temple tip as it goes over the ear

MULTIOPTIKK AS

Tlf. 22 65 50 70 - post@multioptikk.no
www.multioptikk.no